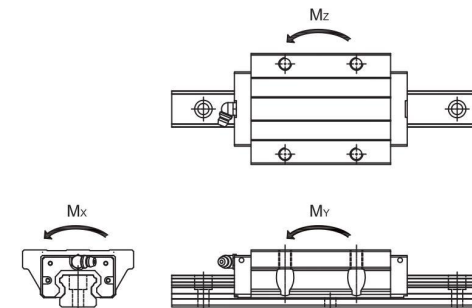
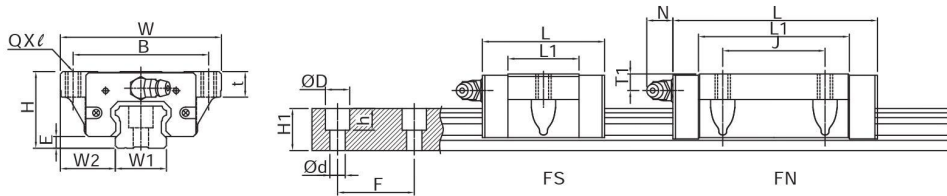


TRS-F Series Specifications

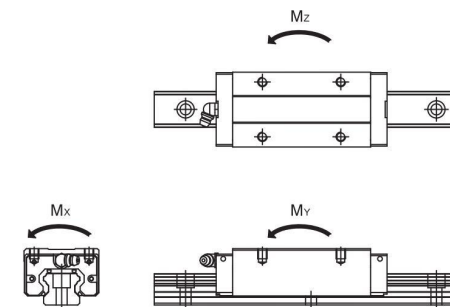
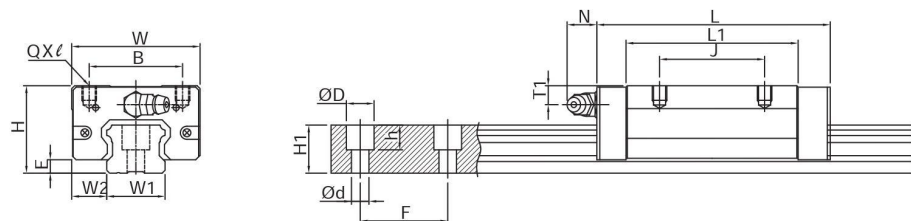


Model No.	Assembly(mm)			Block Dimension(mm)										Rail(mm)					
	H	W2	E	W	B	J	t	L	L1	QXℓ	T1	Oil Hole	N	W1	H1	ØD	h	Ød	F
TRS15FS	24	18.5	3.2	52	41	26	7	40.3	22.9	M5X7	5.5	M4X0.7	7	15	13	7.5	6	4.5	60
TRS15FN								56.9	39.5										
TRS20FS	28	19.5	4.6	59	49	32	9	49.4	27.8	M6X9	4.5	M6X1	14	20	16.5	9.5	8.5	6	60
TRS20FN								68.3	46.7										
TRS25FN	33	25	5.8	73	60	35	10	81	59	M8X10	4.5	M6X1	14	23	20	11	9	7	60

※The above standard provided is dedicated to XN, UN, please check table 2.2.17 for detail, if other accessories is required, please refer to page A90.※

Model No.	Load Rating (kgf)		Static Permissible Moment					Weight		
	C	Co	Mx(kgf-mm)		My(kgf-mm)		Mz(kgf-mm)		Block (kg)	Rail (kg/m)
			Single Block	Double Block	Single Block	Double Block	Single Block	Double Block		
TRS15FS	908	1471	10,957	6,420	33,531	6,420	33,531	0.12	1.32	
TRS15FN	1206	2206	16,436	14,884	70,960	14,884	70,960	0.19		
TRS20FS	1398	2140	21,615	10,700	59,798	10,700	59,798	0.19	2.28	
TRS20FN	1896	3307	33,404	26,459	126,998	26,459	126,998	0.29		
TRS25FN	2581	4503	52,239	43,407	207,324	43,407	207,324	0.51	3.17	

TRC-V Series Specifications



Model No.	Assembly(mm)			Block Dimension(mm)										Rail(mm)					
	H	W2	E	W	B	J	L	L1	QXℓ	T1	Oil Hole	N	W1	H1	ØD	h	Ød	F	
TRC25VL	36	12.5	5.8	48	35	35	93	71	M6X6.5	7.5	M6X1	14	23	20	11	9	7	60	
TRC25VE						50	110	88											

※The above standard provided is dedicated to XN, UN, please check table 2.2.17 for detail, if other accessories is required, please refer to page A90.※

Model No.	Load Rating (kgf)		Static Permissible Moment					Weight		
	C	Co	Mx(kgf-mm)		My(kgf-mm)		Mz(kgf-mm)		Block (kg)	Rail (kg/m)
			Single Block	Double Block	Single Block	Double Block	Single Block	Double Block		
TRC25VL	2875	5254	60,945	59,579	277,678	59,579	277,678	0.44	3.17	
TRC25VE	3248	6255	72,554	85,112	391,311	85,112	391,311	0.55		